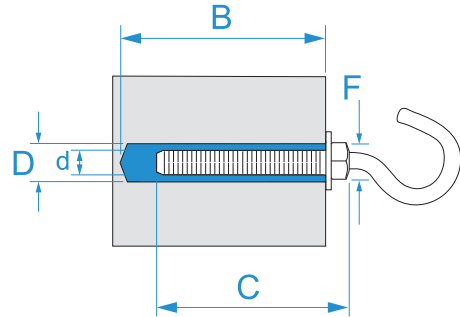


Product family: Fixings - Heavy duty fixings
Item code: F9032, F9033
Description: ACCESSORIES FOR CHEMICAL FIXINGS - GFA 5.8 THREADED HOOK

Image



Technical drawing



Specifications

WALL PLUG TYPE: accessories for chemical anchors

Code	D (mm)	B (mm)	d x C	F (mm)	
F9032	10	65	M8 x 60	13	50/50
F9033	12	80	M10 x 73	17	25/25

