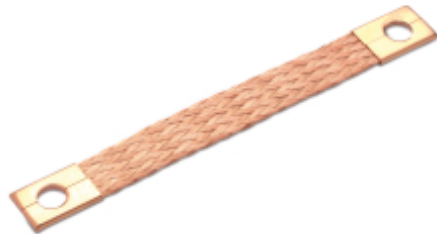
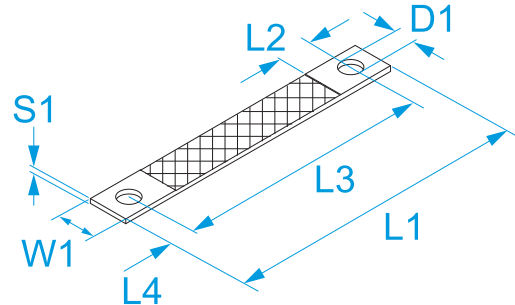


Product family: Panel boards components - Braids
Item code: 60015, 60020, 60025, 60115, 60120, 60125, 60130, 60135, 60142, 60157, 60166, 60215, 60220, 60225, 60230
Description: FLEXIBLE COPPER TWISTED PAIRS FOR EARTHING CONNECTIONS

Image



Technical drawing



Specifications

MATERIAL: copper
OPERATING TEMPERATURE: from -50 °C to +150 °C
SINGLE WIRE: Cu-ETP EN13602

Code	Section (mm ²)	Section (AWG/MCM)	W1 (mm)	S1 (mm)	L1 (mm)	L2 (mm)	L3 (mm)	L4 (mm)	D1 (mm)	Rated current (ΔT = 30 °C) (A)	
60015	10	(8)	17	2	150	12	130	10	9	90	
60020	10	(8)	17	2	200	12	180	10	9	90	25/25
60025	10	(8)	17	2	250	12	230	10	9	90	
60115	16	(6)	17	2,5	150	12	130	10	9	120	
60120	16	(6)	17	2,5	200	12	180	10	9	120	
60125	16	(6)	17	2,5	250	12	230	10	9	120	
60130	16	(6)	17	2,5	320	12	300	10	9	120	25/25
60135	16	(6)	17	2,5	350	12	330	10	9	120	
60142	16	(6)	17	2,5	420	12	400	10	9	120	
60157	16	(6)	17	2,5	570	12	550	10	9	120	
60166	16	(6)	17	2,5	660	12	640	10	9	120	
60215	25	(4)	22	3	150	12	130	10	9	120	
60220	25	(4)	22	3	200	12	180	10	9	150	25/25
60225	25	(4)	22	3	250	12	230	10	9	150	
60230	25	(4)	22	3	300	12	280	10	9	150	