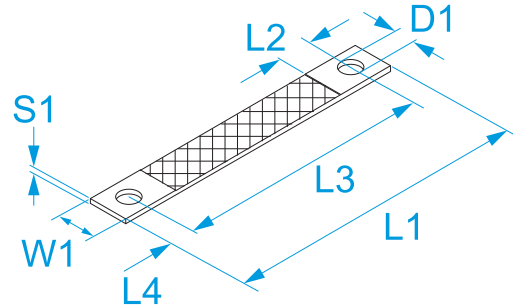


Product family: Panel boards components - Braids
Item code: 61015, 61020, 61025, 61115, 61120, 61125, 61130, 61135, 61142, 61157, 61166, 61215, 61220, 61225, 61230
Description: FLEXIBLE COPPER TWISTED PAIRS FOR EARTHING CONNECTIONS

Image



Technical drawing



Specifications

MATERIAL: tinned copper
OPERATING TEMPERATURE: from -50 °C to +150 °C
SINGLE WIRE: Cu-ETP EN13602

Code	Section (mm ²)	Section (AWG/MCM)	W1 (mm)	S1 (mm)	L1 (mm)	L2 (mm)	L3 (mm)	L4 (mm)	D1 (mm)	Rated current (ΔT = 30 °C) (A)	
61015	10	(8)	17	2	150	12	130	10	9	90	
61020	10	(8)	17	2	200	12	180	10	9	90	25/25
61025	10	(8)	17	2	250	12	230	10	9	90	
61115	16	(6)	17	2,5	150	12	130	10	9	120	
61120	16	(6)	17	2,5	200	12	180	10	9	120	
61125	16	(6)	17	2,5	250	12	230	10	9	120	
61130	16	(6)	17	2,5	320	12	300	10	9	120	25/25
61135	16	(6)	17	2,5	350	12	330	10	9	120	
61142	16	(6)	17	2,5	420	12	400	10	9	120	
61157	16	(6)	17	2,5	570	12	550	10	9	120	
61166	16	(6)	17	2,5	660	12	640	10	9	120	
61215	25	(4)	22	3	150	12	130	10	9	150	
61220	25	(4)	22	3	200	12	180	10	9	150	25/25
61225	25	(4)	22	3	250	12	230	10	9	150	
61230	25	(4)	22	3	300	12	280	10	9	150	